

TYPE _____ · DATE _____ · PROJECT _____

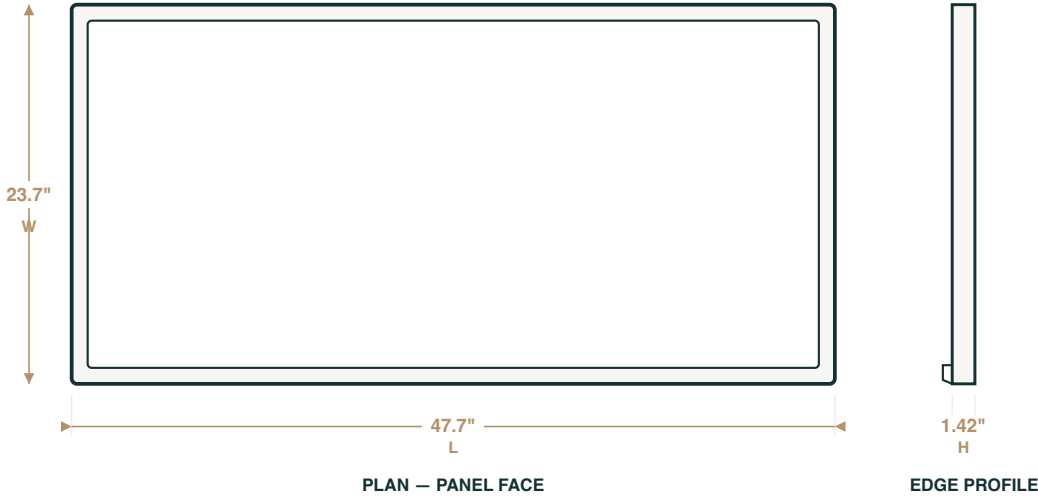
WIL

Sage Willow — High Lumen Back-Lit LED Flat Panel · Lumen and Kelvin Field Selectable

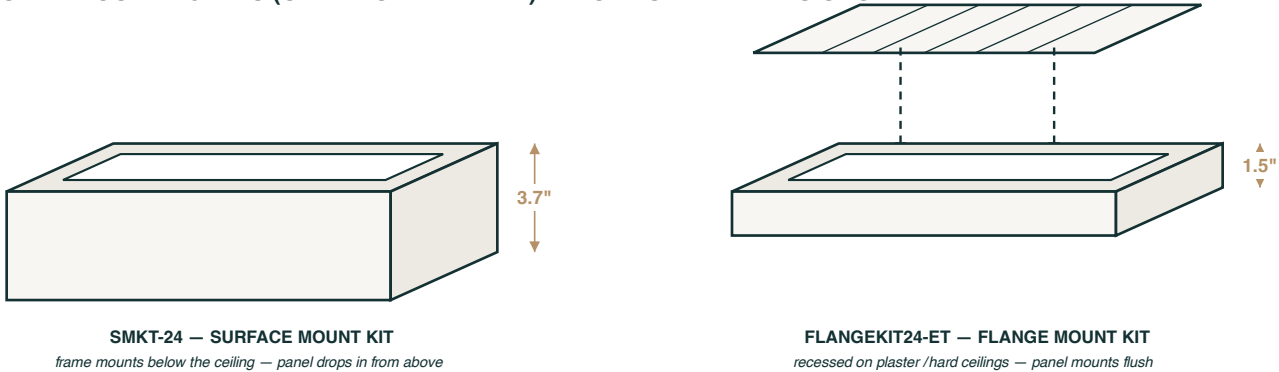
Dimensions & Mounting

All dimensions in inches, nominal

PANEL — PLAN VIEW · EDGE PROFILE (SAME SCALE)



OPTIONAL MOUNTING KITS (ORDER SEPARATELY) — PUBLISHED DIMENSIONS



DIMENSIONS & WEIGHT

Model	L (in)	W (in)	H (in)	Weight (lbs)
WIL-2X4-SLSK	47.7	23.7	1.42	6.6
WIL-2X4-SLSK-EM	47.7	23.7	1.42	7.85

CONSTRUCTION

Aluminum frame and steel housing backplate; PMMA (polymethyl methacrylate) LED lenses. Recessed in grid ceilings (standard earthquake clips) or suspended via the attached hanging brackets; new construction or retrofit; Type IC-rated for insulated ceilings; cULus damp location. Optional surface-mount, flange-mount, and cable-mount kits, order separately.

NOTES

- All dimensions in inches, nominal, per the published dimensions table — L = panel length · W = panel width · H = panel depth (1.42" low profile).
- Mounting-kit heights per the published kit figures: surface-mount frame 3.7" (SMKT-24, mounts below the ceiling) · recessed flange 1.5" (FLANGEKIT24-ET, plaster / hard ceilings). The cable mount kit carries no published dimensions.

"Engineered for the spaces it protects."