

SR7

Sage Relay — High-Bay (Multi-Channel)

Installation Instructions & User's Manual

For use with Sage central-battery systems



IMPORTANT SAFEGUARDS — READ AND FOLLOW ALL SAFETY INSTRUCTIONS

When using electrical equipment, basic safety precautions should always be followed, including the following:

1. CAUTION: This unit has more than one power-supply connection point. To reduce the risk of electric shock, disconnect both the branch circuit-breakers or fuses and the emergency power supplies before servicing.
2. CAUTION: This equipment provides more than one power-supply output source. To reduce the risk of electric shock, disconnect both normal and emergency sources within this unit before servicing any equipment connected to this unit.
3. CAUTION: Sealed unit. Components are not replaceable. Replace the entire unit when necessary.
4. CAUTION: Installation and servicing should be performed by qualified personnel only. De-energize before opening.
5. Do not use outdoors.
6. Do not mount near gas or electric heaters.
7. Equipment should be mounted in locations and at heights where it will not be subjected to tampering by unauthorized personnel.
8. The use of accessory equipment not recommended by the manufacturer may cause an unsafe condition.
9. Do not use this equipment for other than its intended use.
10. Install in accordance with the National Electrical Code and local regulations.
11. Approved for field or factory installation.
12. Lighting-fixture manufacturers, electricians, and end-users need to ensure product compatibility before final installation.

LIMITATIONS

1. The output voltage and current of the Sage Relay, as marked on the data label, must not exceed the maximum output voltage and current of the normal driver, as marked on the data label.
2. Use with Sage central-battery systems. The Sage central-battery system incorporates a UL 508 listed transfer switch.
3. Sage Relay output to the LED array may not be connected by soldering directly to a circuit board. All connections from the Sage Relay to the normal driver and the LED array should be made using standard wire nuts or terminal blocks.

SAVE THESE INSTRUCTIONS

“Engineered for the spaces it protects.”

SR7

Ratings · Wiring Color Key · Dimensions

Installation Instructions & User's Manual

Model SR7

EMERGENCY LIGHT OUTPUT

To verify compliance with the minimum light output required by federal, state, and local codes for emergency illumination of the path of egress, emergency light output may be calculated as follows: (1) Refer to the luminaire specification data and locate the efficacy of the fixture (delivered lumens per watt). (2) If not available on the data sheet, look up the rated efficacy on the DesignLights Consortium Qualified Products List (www.designlights.org). (3) Note the Sage Relay power rating on the data label, then: Emergency lumen output = Sage Relay Power Rating × Luminaire Efficacy (Lm). (4) Download available IES photometric files for the luminaire and use the calculated emergency lumen output to determine minimum illuminance at the specified mounting height. (5) The NFPA minimum standard is 1 fc average and 0.1 fc minimum at any point on the path of egress. Verifying minimum lighting for a single luminaire does not imply the complete installation will meet all required codes — that responsibility remains with the specifying engineer or designer.

RATINGS

	Emergency	Normal
Input · Standard	24 VDC · 2.6 A	120 / 277 VAC · 6 A
Output · Standard	32–54 VDC · 100–1050 mA, 60 W	N/A
Input · HV option	24 VDC · 2.6 A	347 / 480 VAC · 15 A
Output · HV option	60–210 VDC · 100–290 mA, 60 W	N/A


Standard (32–54 V) output is Class 2; other P7 models are above Class 2 ratings.

WIRING COLOR KEY

INPUT

	RED	+24 V
	GRN	-24 V
	RED/WHITE	(+) Normal driver

OUTPUT

	YEL	LED +
	BLU	LED -

AC LINE SWITCH

	Line In	BLK
	Line Out	BLK

DIMENSIONS

Overall 4.84" L x 1.8" H x 1.31" D

Housing: Extruded aluminum, multi-channel. Mounting rails; factory or field installable in the fixture Fire & Electrical Enclosure. Operates luminaires with up to 4 drivers (channel).

See the Sage SR7 Dimensional Data sheet for the scaled drawing and lead detail.

“Engineered for the spaces it protects.”

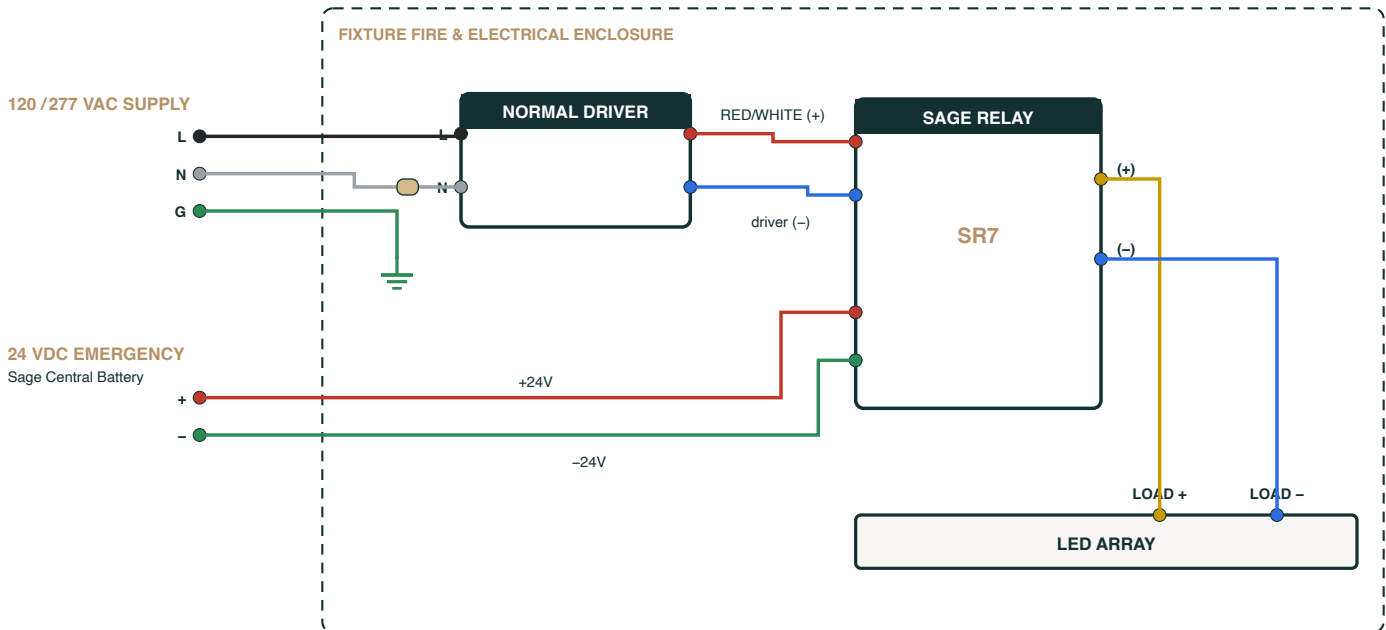
SR7

Fixture-Mount Wiring (single driver)

Installation Instructions & User's Manual

Model SR7

FIXTURE MOUNT — WIRING DIAGRAM



SR7 operates up to 4 drivers — one channel shown; repeat the wiring per channel. · Conductor colors per the Wiring Color Key (Page 2).

WIRING PROCEDURE

1. Open the luminaire driver compartment to enable access to all input/output wiring.
2. Mount the Sage Relay package within the fixture driver enclosure or other Fire & Electrical Enclosure that is part of the fixture assembly. (If supplied, comply with the relay location and mounting instructions for specific fixture types.) Complete all wiring connections shown in the diagram and secure the wiring inside the driver compartment.
3. Output has a POSITIVE (Yellow) and NEGATIVE (Blue) wire. Using push-in wire nuts, connect the relay output to LED LOAD POSITIVE and LED LOAD NEGATIVE. DO NOT CROSS-POLARIZE LED WIRING.
4. Connect the output (+) of the normal driver to the relay RED/WHITE-stripe wire.
5. Connect the 24 V emergency supply from the central-battery POSITIVE and NEGATIVE branch-circuit wiring to relay POSITIVE INPUT (Red) and NEGATIVE (Green).
6. Using standard wire nuts or approved push-in connectors, connect Normal Driver AC LINE and NEUTRAL input. Connect GROUND to the appropriate fixture terminal.
7. Replace the compartment cover and close the fixture. Activate AC normal branch-circuit power to confirm LED lamp operation. Activate the central battery and check emergency-power operation (AC power may remain on). NOTE: Building AC supply and emergency DC supply from the central battery must be routed through separate cable openings (K.O.).

“Engineered for the spaces it protects.”

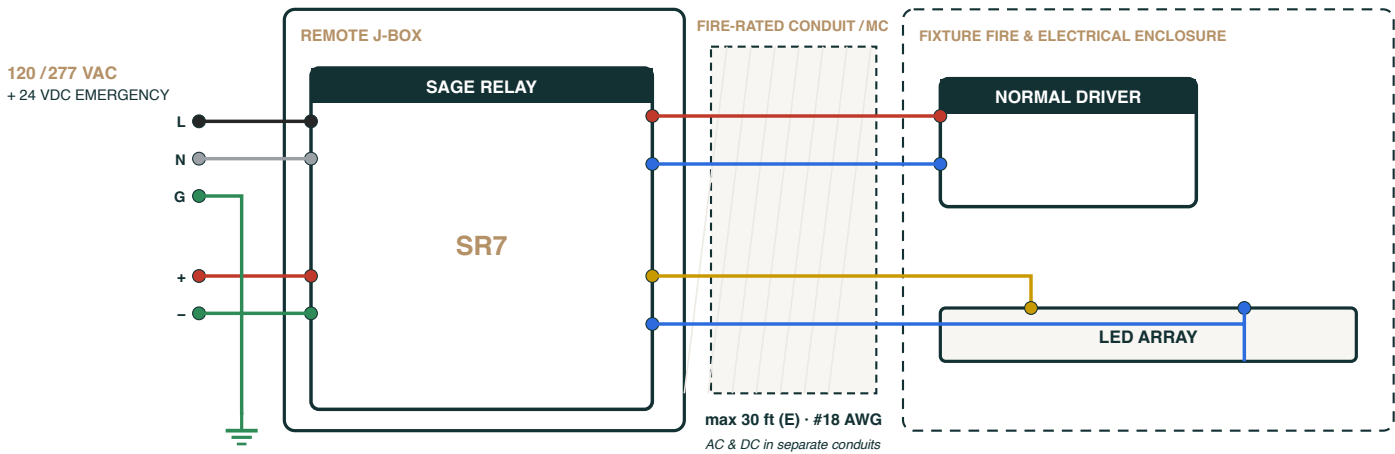
SR7

Remote-Mount Wiring (J-box)

Installation Instructions & User's Manual

Model SR7

REMOTE MOUNT – WIRING DIAGRAM



SR7 operates up to 4 drivers — one channel shown; repeat the wiring per channel. · Conductor colors per the Wiring Color Key (Page 2).

WIRING PROCEDURE

1. Locate a junction box of suitable size for the required wiring and the relay unit. NOTE: Using #18 AWG for the low-voltage output to the luminaire (Blue and Yellow connections), the maximum distance from the relay to the luminaire should not exceed 30 ft (dimension E).
2. Connect the emergency supply from the central battery 24 VDC POSITIVE and NEGATIVE emergency branch-circuit wiring to relay POSITIVE INPUT (Red) and NEGATIVE (Green), and the 120/277 VAC building-supply LINE and GROUND inputs to the relay in the J-box as shown.
3. Route AC wiring and DC wiring from the J-box to the luminaire through separate conduit or MC flexible cables, to separate connectors on the luminaire housing.
4. Using standard wire nuts or approved push-in connectors, connect Normal Driver AC LINE and NEUTRAL input and connect GROUND to the appropriate fixture terminal.
5. Connect relay POSITIVE OUTPUT (Yellow) and NEGATIVE OUTPUT (Blue) to LED LOAD POSITIVE and NEGATIVE. DO NOT CROSS-POLARIZE LED WIRING.
6. Connect the output (+) of the normal driver to the relay RED/WHITE-stripe wire.
7. Activate AC normal branch-circuit power to confirm LED lamp operation. Activate the central battery and check emergency-power operation (AC power may remain on).

“Engineered for the spaces it protects.”