

TYPE \_\_\_\_\_ · DATE \_\_\_\_\_ · PROJECT \_\_\_\_\_

# OPA

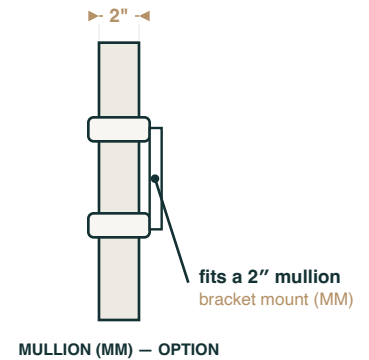
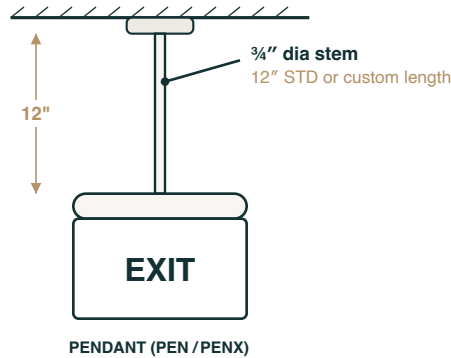
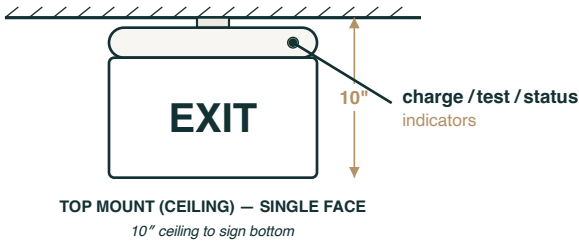
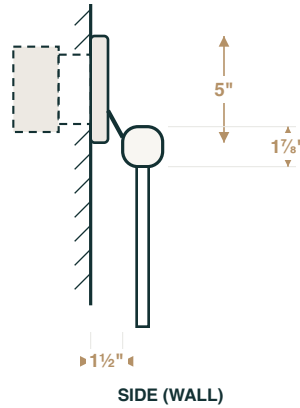
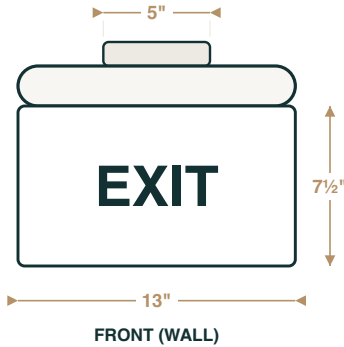
Sage Opalite — Surface Mount Edge-Lit LED Exit Sign

## Dimensions & Mounting

All dimensions in inches, nominal

### WALL MOUNT — FRONT · SIDE + TOP · PENDANT · MULLION

4" x 4" x 2 1/8" J-box + 1 1/2" ext. ring (BB / NB)



### SIGN, CANOPY & MOUNT DIMENSIONS

	Value
Sign face W x H	13" x 7 1/2"
Canopy width	5"
Lamp-housing tube profile	1 7/8"
Wall standoff	1 1/2" wall face to housing
Top (ceiling) mount drop	10" ceiling to sign bottom (single face)
Pendant mount	12" standard drop (custom lengths) · 3/4" dia stem · 5" canopy
Mullion mount	fits a 2" mullion
J-box	BB/NB: 4" x 4" x 2 1/8" deep + 1 1/2" extension · remote: 4-O 3 1/2" x 3 1/2" x 1 1/2"

### CONSTRUCTION

Extruded-aluminum LED lamp housing mounting to a form-fitting solid-aluminum canopy with a cam-lock device, field adjustable for wall or ceiling mount — no exposed hardware. Diamond-polished acrylic edge-lit panel with custom graphics and directional arrows. Standard finishes satin white enamel and brushed aluminum; optional custom paint or anodized finishes (satin bronze, polished gold, mirror silver).

### NOTES

- All dimensions are nominal, in inches; per the published drawings.
- End (LE/RE), pendant (PEN/PENX), mullion (MM), and inverted-graphics (INV) mounts are ordering options.
- Dimensions shown are the complete published set; overall housing length and letter height are not separately published.

*"Engineered for the spaces it protects."*