

TYPE _____ · DATE _____ · PROJECT _____

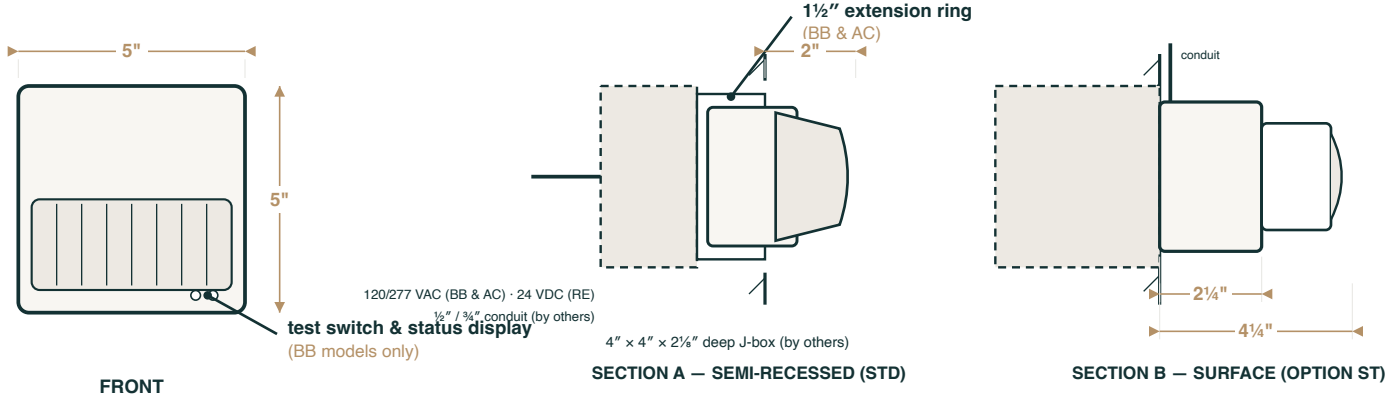
ONY

Sage Onyx — Interior LED Wall Mount Light

Dimensions & Mounting

All dimensions in inches, nominal

FRONT · MOUNTING SECTIONS — SHARED WALL-FACE DATUM



FIXTURE & MOUNTING DIMENSIONS

	Value
Face — W x H	5" x 5"
Semi-recessed — projection, wall face to lens tip	2"
Surface mount (option ST) — trim-box depth from the wall face	2 1/4"
Surface mount (option ST) — overall projection to the lens tip	4 1/4"
Device box (by others)	4" x 4" x 2 1/8" deep J-box
Extension ring — semi-recessed, BB & AC	1 1/2"

CONSTRUCTION

Extremely low-profile formed-aluminum housing — 5" x 5" face with the contoured prismatic lens across the lower face; test switch & status display at the lower right of the face (BB models only). Satin white standard; custom paint or satin anodized available. Semi-recessed (standard): the housing recesses into a 4" x 4" x 2 1/8" deep J-box (by others) behind the wall — BB & AC with a 1 1/2" extension ring — leaving a 2" projection to the lens tip. Surface mount (option ST, RE & AC models): trim over the same J-box — 2 1/4" trim box, 4 1/4" overall projection.

NOTES

- All dimensions are nominal, in inches; per the published dimensions figures. The two mounting depths share the wall-face datum — 2 1/4" trim box and 4 1/4" overall on surface mount; 2" overall semi-recessed.
- No mounting-hole pattern is published — the fixture mounts to the standard J-box (by others). Supply by 1/2" or 3/4" conduit (by others): 120/277 VAC (BB & AC) · 24 VDC (RE). The published guides pair the 1 1/2" extension ring with BB & AC semi-recessed mounting; RE mounts the base plate flush to the wall on the deep J-box.

"Engineered for the spaces it protects."