

TYPE _____ · DATE _____ · PROJECT _____

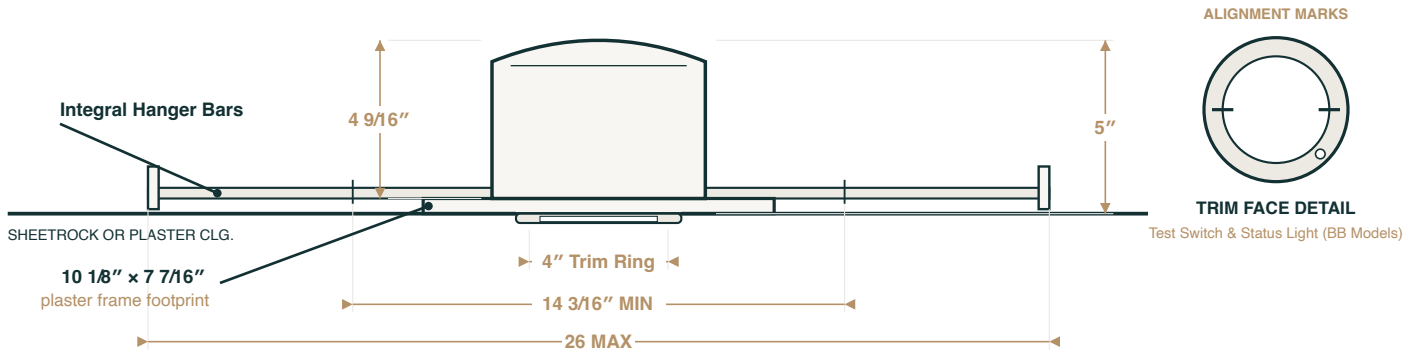
OBS

Sage Obsidian — Recessed LED Down Light

Dimensions & Mounting

All dimensions in inches, nominal

MOUNTING SECTION — PLASTER FRAME, HANGER BARS & CEILING



FIXTURE & MOUNTING DIMENSIONS

	Value
Housing height above the ceiling plane	5"
Housing top to the hanger-bar / plaster-frame plane	4 9/16"
Trim ring · aperture (nominal)	4"
Plaster frame — footprint	10 1/8" × 7 7/16"
Bar-hanger span	14 3/16" min – 26 max

CONSTRUCTION

Steel housing with bracket mount locations and multiple knockouts for wiring connection; 4" trim-ring installation with standard can and back plate. Recessed on a plaster frame with three retaining clips and two integral bar hangers (end nailing brackets to framing); the trim & LED lamp assembly seats flush to the ceiling panel and the trim ring snaps in place. Alignment marks in the lens index the lamp assembly to the path of egress. Test switch & status light at the trim (BB models). Trim: satin white, black, aluminum, dark bronze, or custom.

NOTES

- All dimensions are nominal, in inches, per the published mounting figures. The two vertical dimensions use different datums — 5" runs from the housing top to the ceiling plane; 4 9/16" runs from the housing top to the hanger-bar / plaster-frame plane — both as published.
- No overall fixture height to the trim is published — not derived here. The bar-hanger span prints 14 3/16" MIN and 26 MAX (the maximum prints with no inch mark — carried as printed).
- No ceiling-cutout diameter is published — the lamp-housing cutout is cut in the ceiling plaster or tile at installation; ceiling layer: sheetrock or plaster.

"Engineered for the spaces it protects."